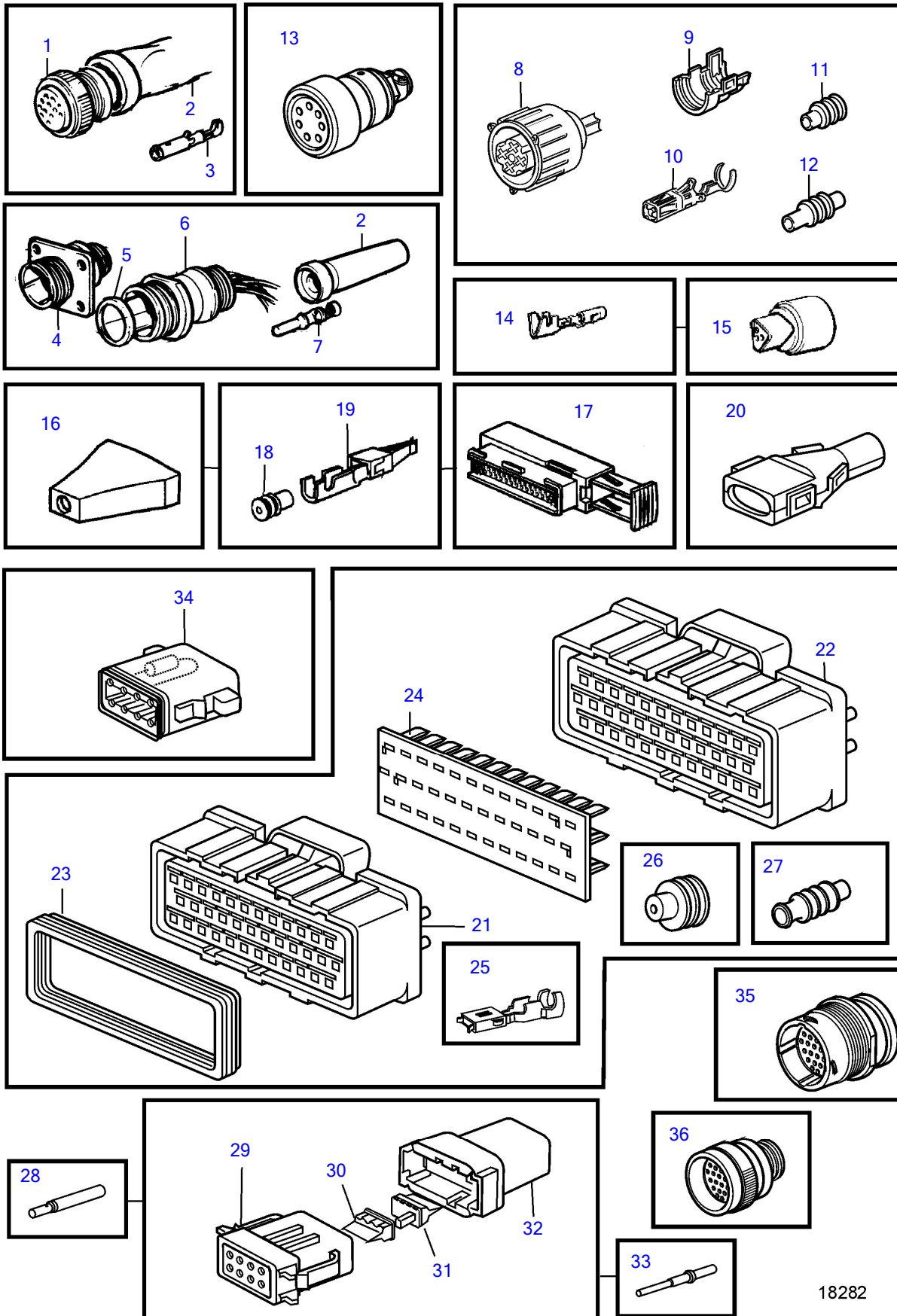


D8A1-A MP, D8A2-A MP, D8A3-A MP, D8A4-A MP



18282

D8A1-A MP, D8A2-A MP, D8A3-A MP, D8A4-A MP

REF	PART NO.	QTY	DESCRIPTION	SEE SEC.	NOTES
1	846612	1	Housing		16-pole
2	847005	1	Sealing collar		L=100mm D=20mm
3	849959	1	Terminal		
4	846611	1	Housing		16-pole
5	846615	1	Sealing ring		
6	846647	1	Block		16-pole
7	849958	1	Terminal		1,6x0,5-1,5mm ²
8	8159013	1	Housing	41414	4-pole
9		1	Adapter	41414	
10	8155901	1	Cable terminal	41414	
11	8155900	1	Cable seal	41414	
12	8155899	1	Sealing plug	41414	
13	1618737	1	Switch		7-pole
14	853521	1	Terminal		
15	(853498)	1	Anode kit		Obsolete part, 3-pole
16	873632	1	Protecting sleeve		
17	9148263	1	Housing		42-pole
	9148135	20	Switch		
	9148107	20	Seal		
	970749	6	Cable terminal		
	970773	6	Cable seal		
	873632	1	Protecting sleeve		
18	970772	1	Cable seal		1,2-2,1mm ² blue
	9148107	1	Seal		1,4-2,0 grey
	25325008	1	Cable seal		2,2-3mm ² white
19	9148135	1	Switch		1,6x0,5-1mm ²
	970778	1	Terminal		4,8/2,8x0,5-1mm ²
	970779	1	Terminal		4,8/2,8x1,1-2,5mm ²
20	8142100	1	Adapter		
21	977532	1	Housing		24-pole black
22	977897	1	Housing		24-polig red
23		1	• Seal		
24	977533	1	Insulator retainer		
25	977539	1	Terminal		
26	1079234	1	Seal		Brown
27	977540	1	Cable seal		Gray
28	874146	1	Terminal		
29	874142	1	Housing		8-pole
30	874144	1	Wedge		Orange
31	874145	1	Wedge		Orange
32	874143	1	Housing		8-pole
33	874147	1	Terminal		
34	874271	1	Resistor, end terminator		
35	874112	1	Connector unit		From control panel to engine. 23-pole., Use Cable Terminal 874147
36	874092	1	Connector unit		From engine to control panel. 23-pole., Use Cable Terminal 874146